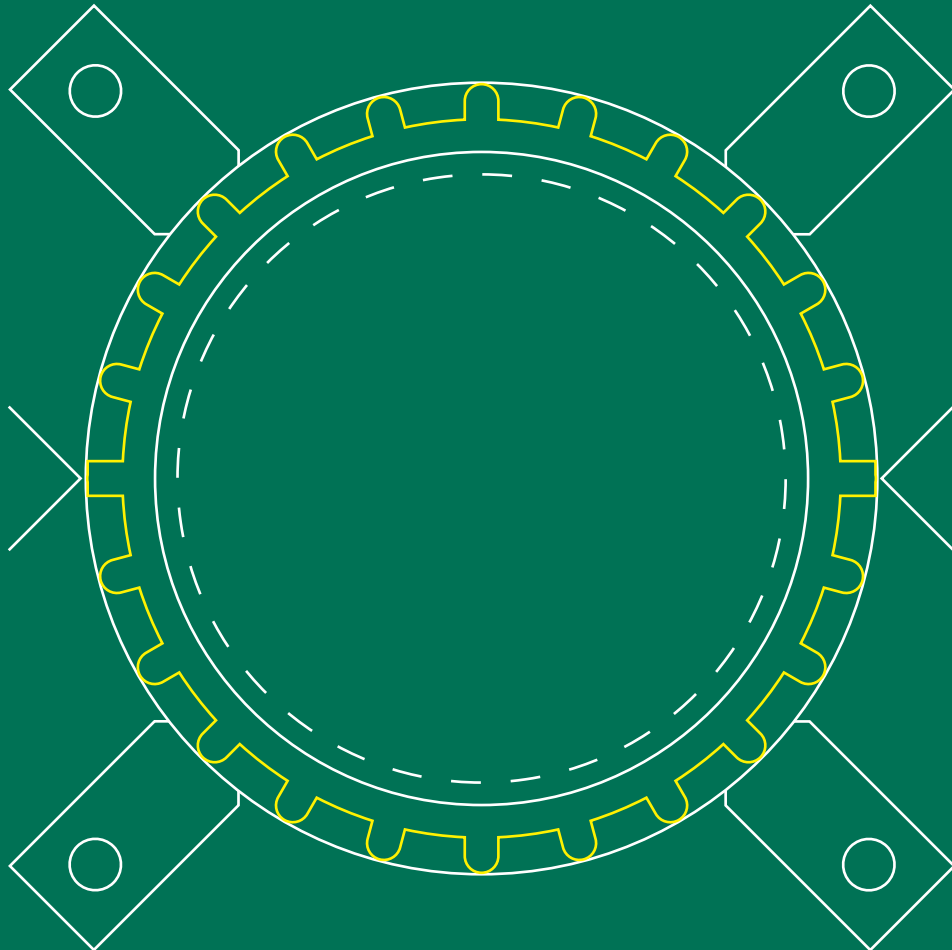


Product information and assembly instruction



Technical Data Sheet Walraven Pacifyre[®] FPC

Walraven Pacifyre® FPC

Fire collar with intumescent inlay that will heavily expand in case of fire

Installation instruction

After sealing the penetration joint with Walraven Pacifyre® A Acrylic Sealant in combination with mineral wool backfilling, the collar can be easily installed.

Due to the 2-part design, it is possible to mount only one half to the wall/ceiling first and connect the other half later.

Fill out the Walraven Pacifyre® ID-Card and place it next to the penetration to finalize the installation correctly.



1. Clean the pipe and check the dimensions.
Annular joint width max. 30 mm.



2. Close the gap with loose mineral wool and seal it with Walraven Pacifyre® A Acrylic Sealant (fill depth = 10 mm).



3. Choose the right size of collar.



4. Mount the collar around the pipe with the closing mechanism.

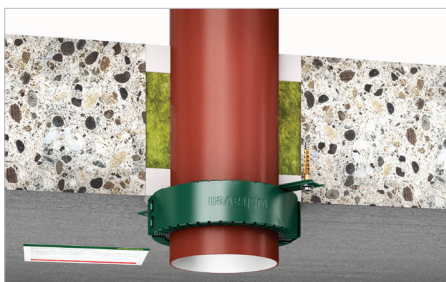


5. Mount the collar to the wall with an approved fixing set, as shown in section 5.

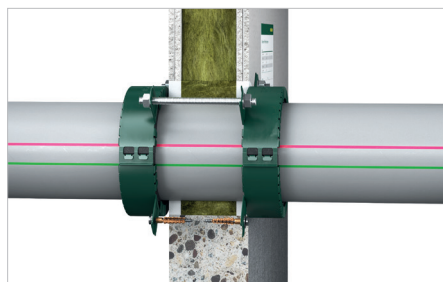


6. Fill out and place the Walraven Pacifyre® ID Card next to the penetration.

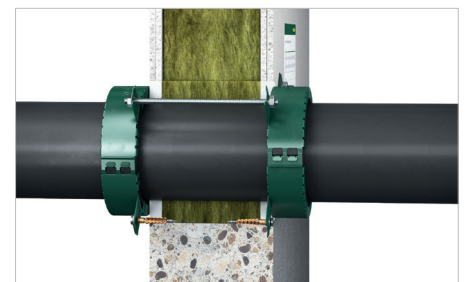
Installation options



Floor penetrations



Flexible wall penetrations



Rigid wall penetrations

1. General description

The Walraven Pacifyre® FPC is a two part fire collar that easily fixes around a pipe. It is the only collar where you can mount one half to the wall or ceiling and connect the other half later. Also, when installing on a floor penetration, the fire collar will not slip down the pipe because the noise insulating foam helps to hold it in place. This can make installation easier if you need to let go of the collar whilst getting it into the correct position.

Detailed specifications for identification and performance criteria relevant for fire safety with regard to the construction products can be found in the DoP-0761 CPR 22-0341 and the ETA-22/0341.

The verification and assessment methods on which the ETA of the Walraven Pacifyre® FPC is based lead to the assumption of a working life of at least ten years.



2122000xxx

Features and benefits

- For application in flexible walls, rigid walls and rigid floors
- Suitable for combustible pipes with intended use as rainwater, sewage, drinking water and heating or cooling
- For various combustible pipe materials such as PP, PVC and PE
- Suitable for certain branded pipes as detailed in the ETA
- Easy to install due to the connection hooks
- Possible to mount one half and connect the other half later
- Collar stays in place by itself in vertical situations because of foam layer
- Built-in noise insulation
- Fire resistant up to EI 120 U/U
- Tested according to EN 1366-3
- European approval ETA-22/0341



2. Components & separating elements

Walraven Pacifyre® FPC – Fire Protection Collar

Component name	Characteristics
Walraven Pacifyre® IM Pro	Flexible intumescent strip (provided with a self-adhesive layer) with a nominal thickness of 2.0 mm and a width of 28, 38, 58 or 98 mm.
Foam	Semi-closed cells EPDM-based foam strip with a nominal thickness of 10 mm and a width of 28, 38 or 58 mm.
Metal housing	Galvanised steel part with a nominal thickness of > 1.0 mm treated with a powder coating.

Gap Fillers

Component name	Characteristics
Walraven Pacifyre® A	One component fire retardant sealant based on a water-based acrylic dispersion with plasto-elastic properties - filled in cartridges.
Loose mineral wool	Loose stone wool with a classification A1 according to EN 13501-1 with a melting point > 1,000 °C (e.g. Rockwool Loose Wool)

Wall or floor constructions

Separating element	Construction
Flexible walls	<ul style="list-style-type: none"> ■ Steel studs or timber studs lined on both faces with minimum two layers of boards (minimum thickness of 12.5 mm each) with a classification A2-s1, d0 or A1 according to EN 13501-1. ■ For timber stud walls there shall be a minimum distance of 100 mm of the penetration seal to any timber stud, this space shall be filled with min. 100 mm of insulation with classification A1 or A2 according to EN 13501 -1 ■ Minimum thickness of 100 mm ■ Classification according to EN 13501-2: > EI90
Rigid walls	<ul style="list-style-type: none"> ■ Aerated concrete, concrete or masonry ■ Minimum thickness of 100 mm ■ Classification according to EN 13501-2: for the required fire resistance period
Rigid floors	<ul style="list-style-type: none"> ■ Aerated concrete, concrete or masonry ■ Minimum density of 550 kg/m³ ■ Minimum thickness of 150 mm ■ Classification according to EN 13501-2: for the required fire resistance period

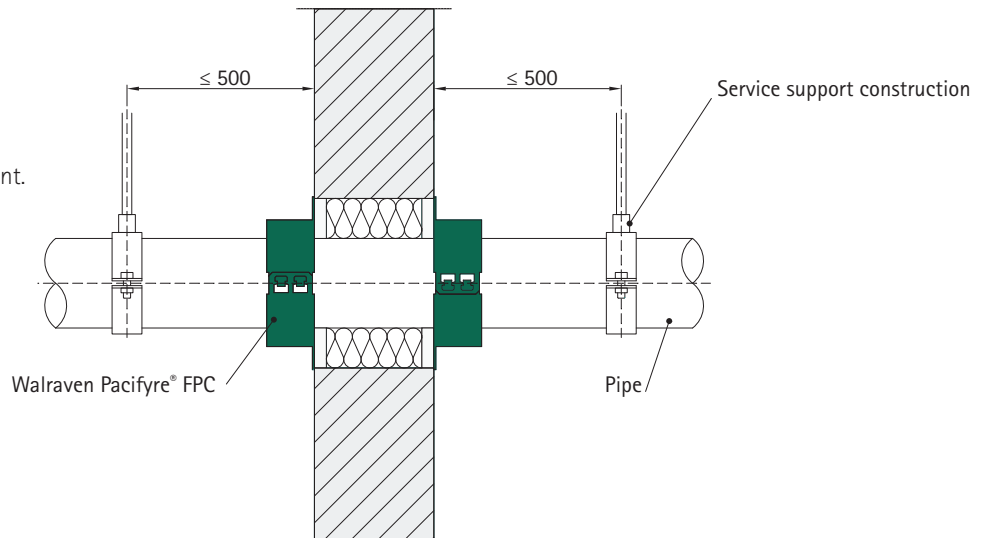
3. Service support construction

Service support construction in walls

Wall Application

All plastic pipes – in both flexible and rigid walls – have to be supported on both sides of the separating element by service support constructions. This construction can be made by pipe clamps, profiles, studs, bolts etc., made of metal with a melting or decomposition point greater than 1049°C (for instance, stainless steel or zinc-plated steel.)

For plastic pipes in vertical separating elements (walls), the Walraven Pacifyre® FPC has to be installed on both sides of the element.



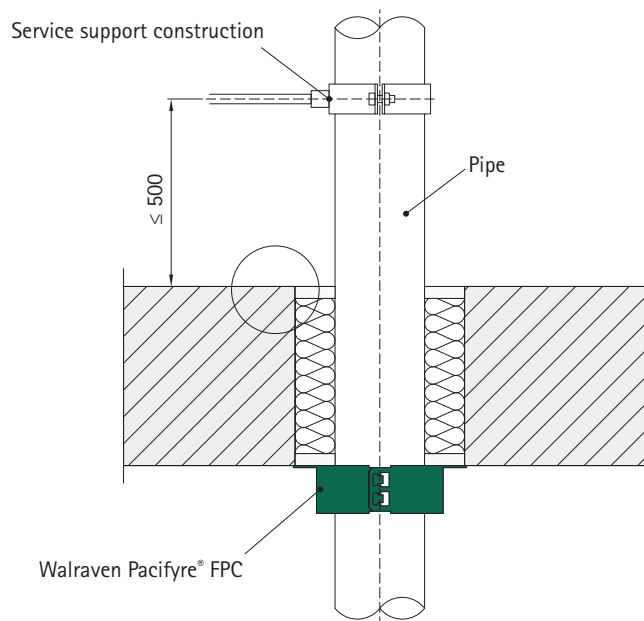
The first support for all types of pipes has to be at a maximum distance of 500 mm (measured from the surface of the wall).

Service support construction in floors

Floor Application

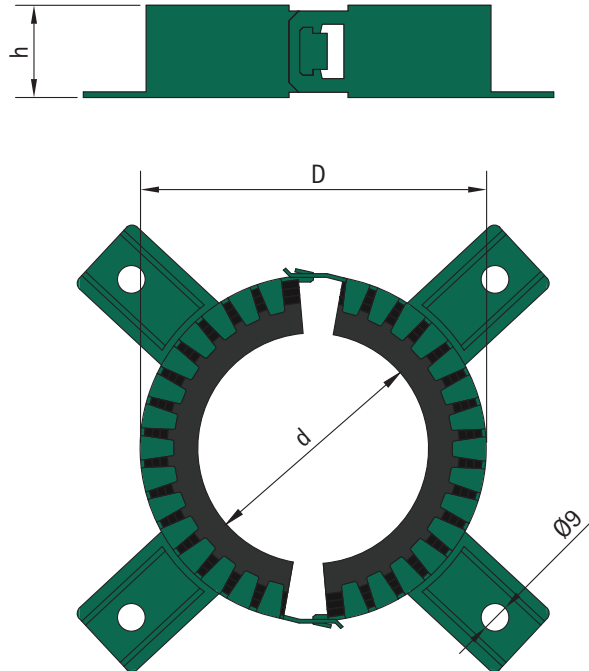
All plastic pipes – in rigid floors – have to be supported on the unexposed (top) side of the separating element by service support constructions. This construction can be made by pipe clamps, profiles, studs, bolts etc., made of metal with a melting or decomposition point greater than 1049°C (for instance, stainless steel or zinc-plated steel.)

For plastic pipes in horizontal separating elements (floors), the Walraven Pacifyre® FPC has to be installed on the bottom side of the surface of the element.



The first support for all types of pipes has to be at a maximum distance of 500 mm (measured from the surface of the floor).

4. Dimensions



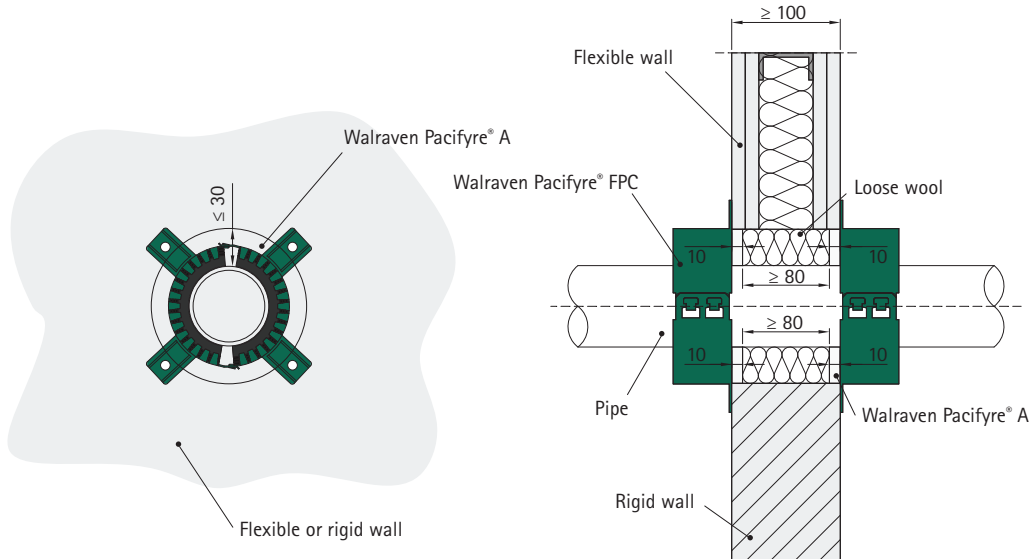
Walraven Pacifyre® FPC – Fire Protection Collar – dimensions

Nominal dimension	d / inner-Ø (mm)	D / outer-Ø (mm)	h / height (mm)	No. of fix. tabs	Article code
Ø 32 mm	28.4	59.4	30	2	2122000032
Ø 40 mm	36.4	67.6	30	2	2122000040
Ø 50 mm	46.4	77.6	30	2	2122000050
Ø 63 mm	59.8	95.6	30	4	2122000063
Ø 75 mm	71.8	112.2	40	4	2122000075
Ø 90 mm	87.2	127.6	40	4	2122000090
Ø 110 mm	107.2	147.6	40	4	2122000110
Ø 125 mm	122.6	167.6	60	4	2122000125
Ø 140 mm	138.2	192.4	60	6	2122000140
Ø 160 mm	158.8	213	60	6	2122000160
Ø 180 mm	177.3	227	100	8	2122000180
Ø 200 mm	198.8	266.2	100	10	2122000200
Ø 225 mm	223.8	291.2	100	10	2122000225
Ø 250 mm	248.8	316.2	100	10	2122000250
Ø 280 mm	278.8	358	100	10	2122000280
Ø 300 mm	298.8	378	100	10	2122000300
Ø 315 mm	313.8	393	100	10	2122000315

5. Wall application – Sealant and fixing

Sealant type A | Walraven Pacifyre® A Acrylic sealant with a backfilling of firmly compressed loose wool

Wall Application



1. The backfilling is made by firmly compressed loose stone wool and fills the entire space between both layers of Walraven Pacifyre® A.

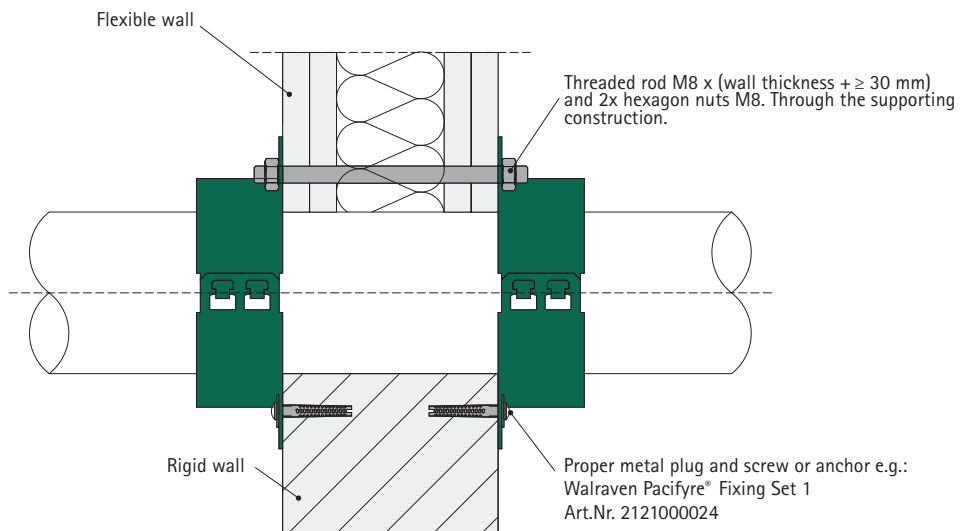
To apply the Acrylic properly the backfilling needs to be 10 mm from the surface inside the wall.

2. Filling the entire aperture with Walraven Pacifyre® A between the pipe and the aperture edge flush with both sides of the supporting construction (wall).

Fixing of the Walraven Pacifyre® FPC Fire Protection Collar

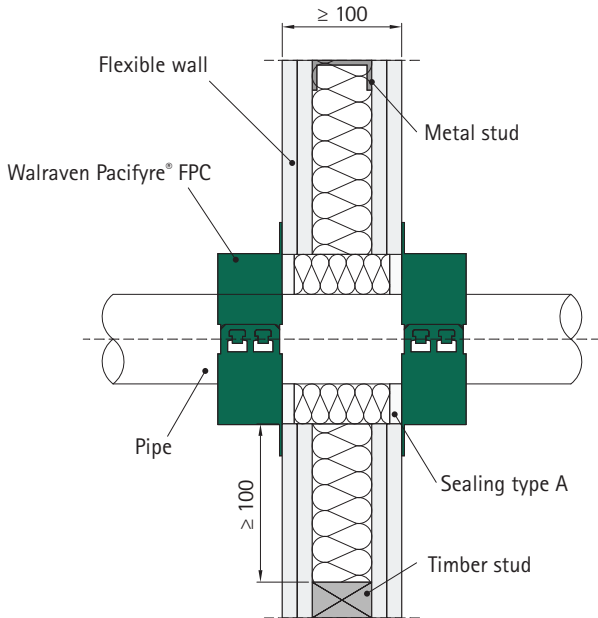
Wall Application

Each tab of the Walraven Pacifyre® FPC Collar needs to be fixed to the supporting construction. Depending on the type of the wall (rigid or flexible), the fixing needs to be done equal or better than shown in this drawing.



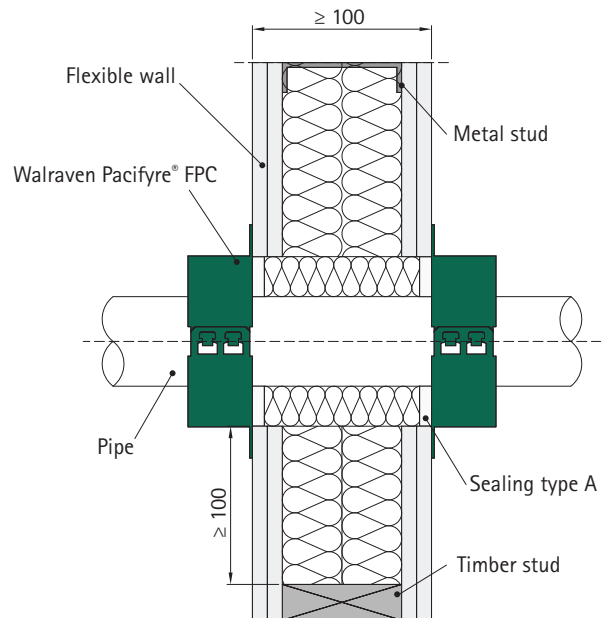
6. Wall application – type of wall (plastic pipes)

Double-sided flexible wall construction type a



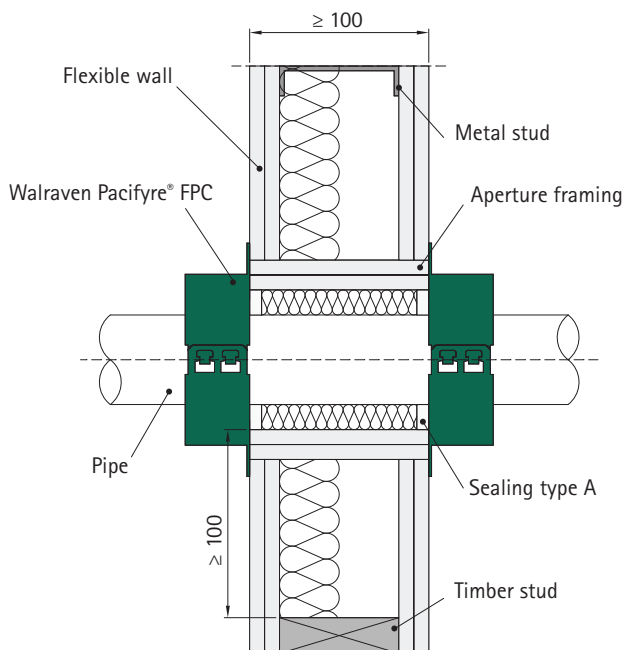
Flexible wall constructions with ≥ 2 board layers with an overall lining thickness of ≥ 25 mm (2×12.5 mm) on each side of the wall and a stone wool insulation of 50 mm with a density of ≥ 100 kg/m³.

Double-sided flexible wall construction type b



Flexible wall constructions with ≥ 2 board layers with an overall lining thickness of ≥ 25 mm (2×12.5 mm) on each side of the wall and a stone wool insulation of 2×50 mm with a density of ≥ 100 kg/m³.

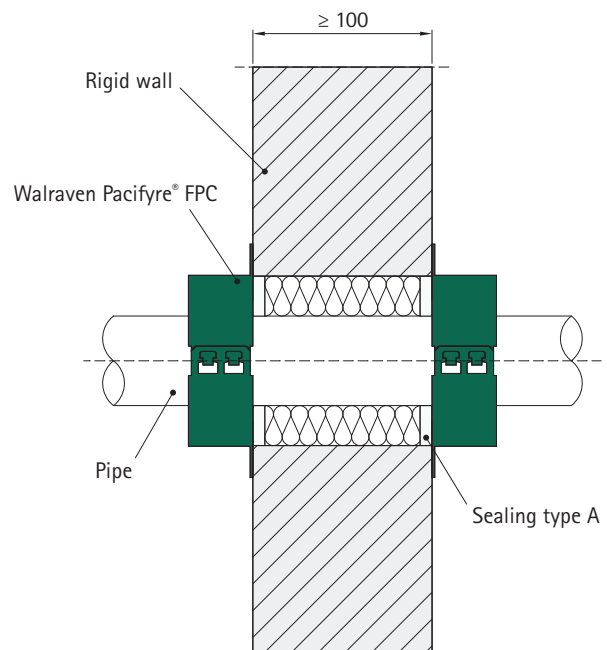
Double-sided flexible wall construction type c



Flexible wall constructions with ≥ 2 board layers with an overall lining thickness of ≥ 25 mm (2×12.5 mm) on each side of the wall and any type of insulation.

With an aperture framing with at least 1 layer with an overall thickness of ≥ 25 mm or in case of circular apertures a dimensionally stable sleeve of materials of class A1 or A2.

Rigid wall construction type d



Rigid wall construction with a density of ≥ 350 kg/m³.

7. Wall application – pipe types and dimensions (plastic pipes)

Service support construction in wall

Wall Application

Plastic pipes with the intended use as rainwater pipes, sewage pipes (ventilated = U/U and unventilated = U/C) and gas, drinking water and heating pipes made out of the below material and dimension:

Pipes made from PVC-U in accordance with EN-1329-1, EN 1453-1, EN ISO 15493 and EN ISO 1452-2 and PVC-C pipes in accordance with EN 1566-1, EN ISO 15493 and EN ISO 15877-2.

Supporting construction	Outer-Ø	t _{pipe}	Sealant*	Classifications	
Flexible and rigid walls	Ø 32 mm	1.8 mm	A	EI 120 U/U	E 120 U/U
	Ø 40 mm	5.6 mm	A	EI 120 U/U	E 120 U/U
	Ø 50 mm	1.8 - 5.6 mm	A	EI 120 U/U	E 120 U/U
	Ø 63 mm	1.8 mm	A	EI 120 U/U	E 120 U/U
	Ø 75 mm	8.4 mm	A	EI 120 U/U	E 120 U/U
	Ø 90 mm	1.8 - 8.4 mm	A	EI 120 U/U	E 120 U/U
	Ø 110 mm	2.2 mm	A	EI 120 U/U	E 120 U/U
	Ø 125 mm	12.3 mm	A	EI 120 U/U	E 120 U/U
	Ø 140 mm	2.2 - 12.3 mm	A	EI 120 U/U	E 120 U/U
	Ø 160 mm	3.2 mm	A	EI 120 U/U	E 120 U/U

Pipes made from PE in accordance with EN-1519-1, EN 12666-1, EN 12201-2 and EN ISO 15494 and PE-X pipes in accordance with EN ISO 15785-2, ABS pipes in accordance with EN 1455-1 and EN ISO 15493 as well as SAN+PVC pipes in accordance with ISO 19220.

Supporting construction	Outer-Ø	t _{pipe}	Sealant*	Classifications	
Flexible and rigid walls	Ø 32 mm	1.8 mm	A	EI 120 U/U	E 120 U/U
	Ø 32 mm	1.8 - 5.8 mm	A	EI 60 U/U	E 60 U/U
	Ø 40 mm	1.8 mm	A	EI 120 U/U	E 120 U/U
	Ø 40 mm	1.8 - 5.8 mm	A	EI 60 U/U	E 60 U/U
	Ø 50 mm	1.8 mm	A	EI 120 U/U	E 120 U/U
	Ø 50 mm	1.8 - 5.8 mm	A	EI 60 U/U	E 60 U/U
	Ø 63 mm	1.8 - 5.8 mm	A	EI 120 U/U	E 120 U/U
	Ø 75 mm	1.9 - 6.8 mm	A	EI 120 U/U	E 120 U/U
	Ø 90 mm	2.7 - 4.2 mm	A	EI 120 U/U	E 120 U/U
	Ø 90 mm	4.2 - 10.0 mm	A	EI 60 U/U	E 60 U/U
	Ø 110 mm	2.7 - 4.2 mm	A	EI 120 U/U	E 120 U/U
	Ø 110 mm	4.2 - 10.0 mm	A	EI 60 U/U	E 60 U/U
	Ø 125 mm	3.1 - 7.1 mm	A	EI 120 U/U	E 120 U/U
	Ø 140 mm**	4.0 - 9.1 mm	A	EI 60 U/U	E 60 U/U
	Ø 160 mm**	4.0 - 9.1 mm	A	EI 60 U/U	E 60 U/U

**Only rigid walls with a thickness ≥ 150 mm

*Explanation of sealant type see 5. Wall application - Sealant and fixing

Service support construction in wall

Wall Application

Plastic pipes with the intended use as rainwater pipes, sewage pipes (ventilated = U/U and unventilated = U/C) and gas, drinking water and heating pipes made out of the below material and dimension:

Pipes made from PP-H in accordance with DIN 8077/78

Supporting construction	Outer-Ø	t _{pipe}	Sealant*	Classifications	
Flexible and rigid walls	Ø 32 mm	1.8 – 5.8 mm	A	EI 120 U/U	E 120 U/U
	Ø 40 mm	1.8 – 5.8 mm	A	EI 120 U/U	E 120 U/U
	Ø 50 mm	1.8 – 5.8 mm	A	EI 120 U/U	E 120 U/U
	Ø 63 mm	1.8 – 5.8 mm	A	EI 120 U/U	E 120 U/U
	Ø 75 mm	1.9 – 4.3 mm	A	EI 120 U/U	E 120 U/U
	Ø 90 mm	2.7 mm	A	EI 120 U/U	E 120 U/U
	Ø 90 mm	2.7 – 10.0 mm	A	EI 60 U/U	E 60 U/U
	Ø 110 mm	2.7 mm	A	EI 120 U/U	E 120 U/U
	Ø 110 mm	2.7 – 10.0 mm	A	EI 60 U/U	E 60 U/U
	Ø 125 mm	3.1 mm	A	EI 120 U/U	E 120 U/U
	Ø 125 mm	3.1 – 7.1 mm	A	EI 45 U/U	E 45 U/U
	Ø 125 mm**	3.1 – 7.1 mm	A	EI 120 U/U	E 120 U/U
	Ø 140 mm	4.0 mm	A	EI 120 U/U	E 120 U/U
	Ø 140 mm	4.0 – 9.1 mm	A	EI 60 U/U	E 60 U/U
	Ø 160 mm	4.0 mm	A	EI 120 U/U	E 120 U/U
	Ø 160 mm	4.0 – 9.1 mm	A	EI 60 U/U	E 60 U/U

**Only rigid walls with a thickness ≥ 150 mm

Geberit Silent PP pipes in accordance with Z-42.1-432

Supporting construction	Outer-Ø	Sealant*	Classifications	
Flexible and rigid walls	Ø 32 mm	A	EI 120 U/U	E 120 U/U
	Ø 40 mm	A	EI 120 U/U	E 120 U/U
	Ø 50 mm	A	EI 120 U/U	E 120 U/U
	Ø 75 mm	A	EI 120 U/U	E 120 U/U
	Ø 110 mm	A	EI 120 U/U	E 120 U/U
	Ø 125 mm	A	EI 120 U/U	E 120 U/U
	Ø 160 mm	A	EI 90 U/U	E 90 U/U

**Only rigid walls with a thickness ≥ 150 mm

Geberit Silent Pro pipes in accordance with Z-42.1-542

Supporting construction	Outer-Ø	Sealant*	Classifications	
Flexible and rigid walls	Ø 50 mm	A	EI 120 U/U	E 120 U/U
	Ø 75 mm	A	EI 120 U/U	E 120 U/U
	Ø 90 mm	A	EI 90 U/U	E 90 U/U
	Ø 110 mm	A	EI 90 U/U	E 90 U/U
	Ø 125 mm**	A	EI 120 U/U	E 120 U/U
	Ø 160 mm	A	EI 90 U/U	E 90 U/U
	Ø 160 mm	A	EI 90 U/U	E 90 U/U

**Only rigid walls with a thickness ≥ 150 mm

*Explanation of sealant type see 5. Wall application - Sealant and fixing

Service support construction in wall

Wall Application

Plastic pipes with the intended use as rainwater pipes, sewage pipes (ventilated = U/U and unventilated = U/C) and gas, drinking water and heating pipes made out of the below material and dimension:

Wavin AS+ pipes in accordance with Z-42.1-569

Supporting construction	Outer-Ø	Sealant*	Classifications	
Flexible and rigid walls	Ø 50 mm	A	EI 120 U/U	E 120 U/U
	Ø 75 mm	A	EI 120 U/U	E 120 U/U
	Ø 110 mm	A	EI 120 U/U	E 120 U/U
	Ø 125 mm**	A	EI 120 U/U	E 120 U/U
	Ø 160 mm	A	EI 60 U/U	E 60 U/U

**Only rigid walls with a thickness ≥ 150 mm

Wavin SiTech+ pipes in accordance with Z-42.1-539

Supporting construction	Outer-Ø	Sealant*	Classifications	
Flexible and rigid walls	Ø 50 mm	A	EI 120 U/U	E 120 U/U
	Ø 75 mm	A	EI 120 U/U	E 120 U/U
	Ø 110 mm	A	EI 120 U/U	E 120 U/U
	Ø 125 mm**	A	EI 120 U/U	E 120 U/U
	Ø 160 mm	A	EI 60 U/U	E 60 U/U

**Only rigid walls with a thickness ≥ 150 mm

Poloplast POLO-KAL NG pipes in accordance with Z-42.1-241

Supporting construction	Outer-Ø	Sealant*	Classifications	
Flexible and rigid walls	Ø 50 mm	A	EI 120 U/U	E 120 U/U
	Ø 75 mm	A	EI 120 U/U	E 120 U/U
	Ø 110 mm	A	EI 120 U/U	E 120 U/U
	Ø 125 mm	A	EI 90 U/U	E 90 U/U
	Ø 160 mm	A	EI 120 U/U	E 120 U/U

Poloplast POLO-KAL 3S pipes in accordance with Z-42.1-341

Supporting construction	Outer-Ø	Sealant*	Classifications	
Flexible and rigid walls	Ø 75 mm	A	EI 120 U/U	E 120 U/U
	Ø 110 mm	A	EI 120 U/U	E 120 U/U
	Ø 125 mm**	A	EI 120 U/U	E 120 U/U
	Ø 160 mm	A	EI 90 U/U	E 90 U/U

**Only rigid walls with a thickness ≥ 150 mm

*Explanation of sealant type see 5. Wall application - Sealant and fixing

Service support construction in wall

Wall Application

Plastic pipes with the intended use as rainwater pipes, sewage pipes (ventilated = U/U and unventilated = U/C) and gas, drinking water and heating pipes made out of the below material and dimension:

REHAU RAUPIANO plus pipes in accordance with Z-42.1-223

Supporting construction	Outer-Ø	Sealant*	Classifications	
Flexible and rigid walls	Ø 40 mm	A	EI 120 U/U	E 120 U/U
	Ø 50 mm	A	EI 120 U/U	E 120 U/U
	Ø 75 mm	A	EI 120 U/U	E 120 U/U
	Ø 110 mm	A	EI 120 U/U	E 120 U/U
	Ø 125 mm**	A	EI 120 U/U	E 120 U/U
	Ø 160 mm	A	EI 90 U/U	E 90 U/U

**Only rigid walls with a thickness ≥ 150 mm

Georg Fischer Silenta Premium pipes in accordance with Z-42.1-537

Supporting construction	Outer-Ø	Sealant*	Classifications	
Flexible and rigid walls	Ø 58 mm	A	EI 120 U/U	E 120 U/U
	Ø 78 mm	A	EI 120 U/U	E 120 U/U
	Ø 110 mm	A	EI 120 U/U	E 120 U/U
	Ø 135 mm	A	EI 120 U/U	E 120 U/U
	Ø 160 mm	A	EI 120 U/U	E 120 U/U

Conel Drain pipes in accordance with Z-42.1-510

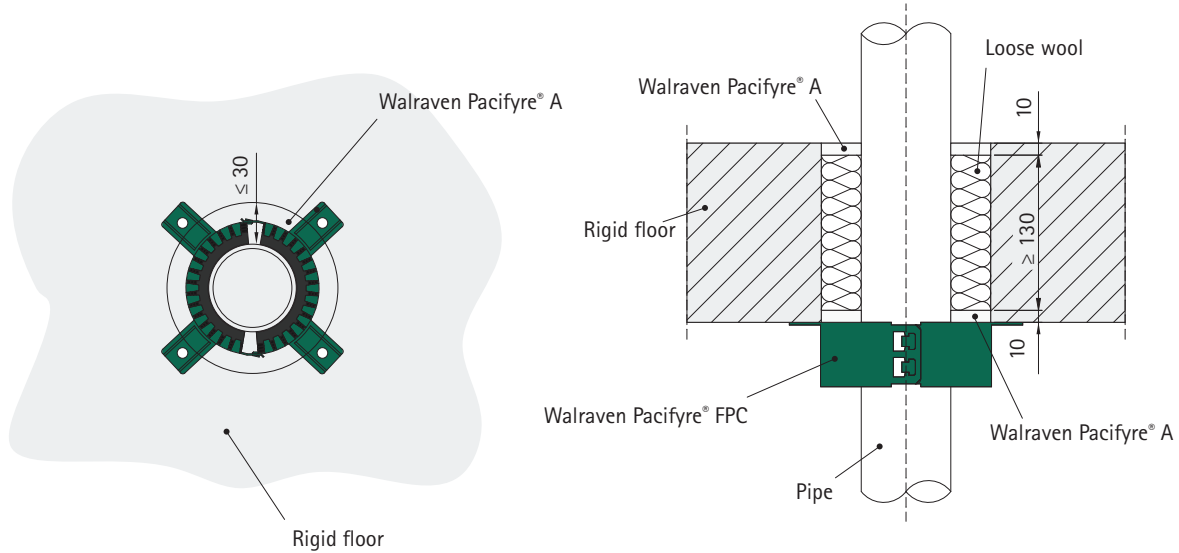
Supporting construction	Outer-Ø	Sealant*	Classifications	
Flexible and rigid walls	Ø 40 mm	A	EI 120 U/U	E 120 U/U
	Ø 50 mm	A	EI 120 U/U	E 120 U/U
	Ø 75 mm	A	EI 120 U/U	E 120 U/U
	Ø 110 mm	A	EI 120 U/U	E 120 U/U

*Explanation of sealant type see 5. Wall application - Sealant and fixing

8. Floor application – Sealant and fixing

Sealant type A | Walraven Pacifyre® A Acrylic sealant with a backfilling of firmly compressed loose wool

Floor Application



1. The backfilling is made by firmly compressed loose stone wool and fills the entire space between both layers of Walraven Pacifyre® A.

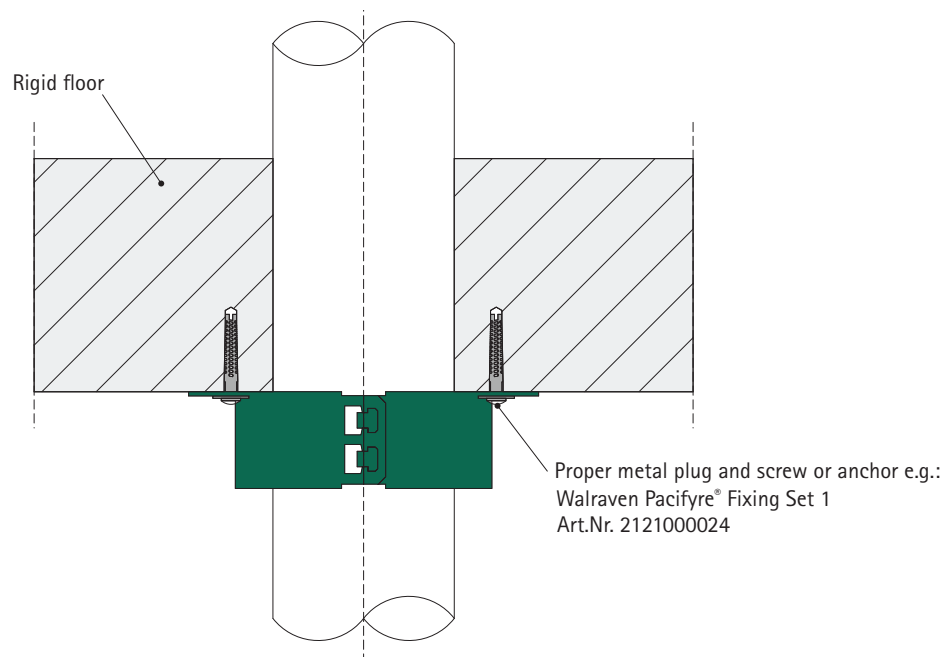
To apply the Acrylic properly the backfilling needs to be 10 mm from the surface inside the floor.

2. Filling the entire aperture with Walraven Pacifyre® A between the pipe and the aperture edge flush with both sides of the supporting construction (floor).

Fixing of the Walraven Pacifyre® FPC Fire Protection Collar

Floor Application

Each tab of the Walraven Pacifyre® FPC Collar needs to be fixed to the supporting construction.



9. Floor application – pipe types and dimensions (plastic pipes)

Service support construction in floor

Floor Application

Plastic pipes with the intended use as rainwater pipes, sewage pipes (ventilated = U/U and unventilated = U/C) and gas, drinking water and heating pipes made out of the below material and dimension:

Pipes made from PVC-U in accordance with EN-1329-1, EN 1453-1, EN ISO 15493 and EN ISO 1452-2 and PVC-C pipes in accordance with EN 1566-1, EN ISO 15493 and EN ISO 15877-2.

Supporting construction	Outer-Ø	t _{pipe}	Sealant*	Classifications	
Rigid floors	Ø 32 mm	1.9 – 7.1 mm	A	EI 90 U/U	E 90 U/U
	Ø 32 mm	7.1 mm	A	EI 120 U/U	E 120 U/U
	Ø 40 mm	1.9 – 7.1 mm	A	EI 90 U/U	E 90 U/U
	Ø 40 mm	7.1 mm	A	EI 120 U/U	E 120 U/U
	Ø 50 mm	1.9 – 7.1 mm	A	EI 90 U/U	E 90 U/U
	Ø 50 mm	7.1 mm	A	EI 120 U/U	E 120 U/U
	Ø 63 mm	1.9 – 7.1 mm	A	EI 90 U/U	E 90 U/U
	Ø 63 mm	7.1 mm	A	EI 120 U/U	E 120 U/U
	Ø 75 mm	1.9 – 4.3 mm	A	EI 120 U/U	E 120 U/U
	Ø 90 mm	2.7 – 10.0 mm	A	EI 120 U/U	E 120 U/U
	Ø 110 mm	2.7 – 10.0 mm	A	EI 120 U/U	E 120 U/U
	Ø 125 mm	3.1 – 7.1 mm	A	EI 120 U/U	E 120 U/U
	Ø 140 mm	4.0 – 9.1 mm	A	EI 120 U/U	E 120 U/U
	Ø 160 mm	4.0 – 9.1 mm	A	EI 120 U/U	E 120 U/U
	Ø 180 mm	5.3 – 8.6 mm	A	EI 120 U/C	E 120 U/C
	Ø 200 mm	7.3 – 11.9 mm	A	EI 120 U/C	E 120 U/C
	Ø 225 mm	7.3 – 11.9 mm	A	EI 120 U/C	E 120 U/C
	Ø 250 mm	7.3 – 11.9 mm	A	EI 120 U/C	E 120 U/C
	Ø 280 mm	9.2 – 15.0 mm	A	EI 120 U/C	E 120 U/C
	Ø 300 mm	9.2 – 15.0 mm	A	EI 120 U/C	E 120 U/C
Ø 315 mm	9.2 – 15.0 mm	A	EI 120 U/C	E 120 U/C	

*Explanation of sealant type see 8. Floor application – Sealant and fixing

Service support construction in floor

Floor Application

Plastic pipes with the intended use as rainwater pipes, sewage pipes (ventilated = U/U and unventilated = U/C) and gas, drinking water and heating pipes made out of the below material and dimension:

Pipes made from PE in accordance with EN-1519-1, EN 12666-1, EN 12201-2 and EN ISO 15494 and PE-X pipes in accordance with EN ISO 15785-2, ABS pipes in accordance with EN 1455-1 and EN ISO 15493 as well as SAN+PVC pipes in accordance with ISO 19220.

Supporting construction	Outer-Ø	t _{pipe}	Sealant*	Classifications	
Rigid floors	Ø 32 mm	1.8 – 5.8 mm	A	EI 120 U/U	E 120 U/U
	Ø 40 mm	1.8 – 5.8 mm	A	EI 120 U/U	E 120 U/U
	Ø 50 mm	1.8 – 5.8 mm	A	EI 120 U/U	E 120 U/U
	Ø 63 mm	1.8 – 5.8 mm	A	EI 120 U/U	E 120 U/U
	Ø 75 mm	1.9 – 6.8 mm	A	EI 120 U/U	E 120 U/U
	Ø 90 mm	2.7 – 4.2 mm	A	EI 120 U/U	E 120 U/U
	Ø 90 mm	4.2 – 10.0 mm	A	EI 60 U/U	E 60 U/U
	Ø 110 mm	2.7 – 4.2 mm	A	EI 120 U/U	E 120 U/U
	Ø 110 mm	4.2 – 10.0 mm	A	EI 60 U/U	E 60 U/U
	Ø 125 mm	3.1 – 7.1 mm	A	EI 120 U/U	E 120 U/U
	Ø 140 mm	4.0 – 14.6 mm	A	EI 120 U/U	E 120 U/U
	Ø 160 mm	4.0 – 14.6 mm	A	EI 120 U/U	E 120 U/U
	Ø 180 mm	4.4 – 16.4 mm	A	EI 120 U/C	E 120 U/C
	Ø 200 mm	7.3 – 11.9 mm	A	EI 120 U/C	E 120 U/C
	Ø 225 mm	7.3 – 11.9 mm	A	EI 120 U/C	E 120 U/C
	Ø 250 mm	7.3 – 11.9 mm	A	EI 120 U/C	E 120 U/C
	Ø 280 mm	7.7 – 28.6 mm	A	EI 90 U/C	E 90 U/C
	Ø 300 mm	7.7 – 28.6 mm	A	EI 90 U/C	E 90 U/C
Ø 315 mm	7.7 – 28.6 mm	A	EI 90 U/C	E 90 U/C	

Pipes made from PP-H in accordance with DIN 8077/78

Supporting construction	Outer-Ø	t _{pipe}	Sealant*	Classifications	
Rigid floors	Ø 32 mm	1.8 mm	A	EI 120 U/U	E 120 U/U
	Ø 32 mm	1.8 – 5.8 mm	A	EI 60 U/U	E 60 U/U
	Ø 40 mm	1.8 mm	A	EI 120 U/U	E 120 U/U
	Ø 40 mm	1.8 – 5.8 mm	A	EI 60 U/U	E 60 U/U
	Ø 50 mm	1.8 mm	A	EI 120 U/U	E 120 U/U
	Ø 50 mm	1.8 – 5.8 mm	A	EI 60 U/U	E 60 U/U
	Ø 63 mm	1.8 mm	A	EI 120 U/U	E 120 U/U
	Ø 63 mm	1.8 – 5.8 mm	A	EI 60 U/U	E 60 U/U
	Ø 75 mm	1.9 – 4.3 mm	A	EI 120 U/U	E 120 U/U
	Ø 90 mm	2.7 mm	A	EI 120 U/U	E 120 U/U
	Ø 90 mm	2.7 – 10.0 mm	A	EI 90 U/U	E 90 U/U
	Ø 110 mm	2.7 mm	A	EI 120 U/U	E 120 U/U
	Ø 110 mm	2.7 – 10.0 mm	A	EI 90 U/U	E 90 U/U
	Ø 125 mm	3.1 – 7.1 mm	A	EI 120 U/U	E 120 U/U
	Ø 140 mm	4.0 – 9.1 mm	A	EI 120 U/U	E 120 U/U
	Ø 160 mm	4.0 – 9.1 mm	A	EI 120 U/U	E 120 U/U

*Explanation of sealant type see 8. Floor application – Sealant and fixing

Service support construction in floor	Floor Application
----------------------------------------------	--------------------------

Plastic pipes with the intended use as rainwater pipes, sewage pipes (ventilated = U/U and unventilated = U/C) and gas, drinking water and heating pipes made out of the below material and dimension:

Geberit Silent PP pipes in accordance with Z-42.1-432

Supporting construction	Outer-Ø	Sealant*	Classifications	
Rigid floors	Ø 32 mm	A	EI 120 U/U	E 120 U/U
	Ø 40 mm	A	EI 120 U/U	E 120 U/U
	Ø 50 mm	A	EI 120 U/U	E 120 U/U
	Ø 75 mm	A	EI 120 U/U	E 120 U/U
	Ø 110 mm	A	EI 120 U/U	E 120 U/U
	Ø 125 mm	A	EI 120 U/U	E 120 U/U
	Ø 160 mm	A	EI 120 U/U	E 120 U/U

Geberit Silent Pro pipes in accordance with Z-42.1-542

Supporting construction	Outer-Ø	Sealant*	Classifications	
Rigid floors	Ø 50 mm	A	EI 120 U/U	E 120 U/U
	Ø 75 mm	A	EI 120 U/U	E 120 U/U
	Ø 90 mm	A	EI 120 U/U	E 120 U/U
	Ø 110 mm	A	EI 120 U/U	E 120 U/U
	Ø 125 mm	A	EI 120 U/U	E 120 U/U
	Ø 160 mm	A	EI 120 U/U	E 120 U/U
	Ø 160 mm	A	EI 120 U/U	E 120 U/U

Wavin AS+ pipes in accordance with Z-42.1-569

Supporting construction	Outer-Ø	Sealant*	Classifications	
Rigid floors	Ø 50 mm	A	EI 120 U/U	E 120 U/U
	Ø 75 mm	A	EI 120 U/U	E 120 U/U
	Ø 110 mm	A	EI 120 U/U	E 120 U/U
	Ø 125 mm	A	EI 120 U/U	E 120 U/U
	Ø 160 mm	A	EI 120 U/U	E 120 U/U

Wavin SiTech+ pipes in accordance with Z-42.1-539

Supporting construction	Outer-Ø	Sealant*	Classifications	
Rigid floors	Ø 50 mm	A	EI 120 U/U	E 120 U/U
	Ø 75 mm	A	EI 120 U/U	E 120 U/U
	Ø 110 mm	A	EI 120 U/U	E 120 U/U
	Ø 125 mm	A	EI 120 U/U	E 120 U/U
	Ø 160 mm	A	EI 120 U/U	E 120 U/U

*Explanation of sealant type see 8. Floor application - Sealant and fixing

Service support construction in floor

Floor Application

Plastic pipes with the intended use as rainwater pipes, sewage pipes (ventilated = U/U and unventilated = U/C) and gas, drinking water and heating pipes made out of the below material and dimension:

Poloplast POLO-KAL NG pipes in accordance with Z-42.1-241

Supporting construction	Outer-Ø	Sealant*	Classifications	
Rigid floors	Ø 50 mm	A	EI 120 U/U	E 120 U/U
	Ø 75 mm	A	EI 120 U/U	E 120 U/U
	Ø 110 mm	A	EI 120 U/U	E 120 U/U
	Ø 125 mm	A	EI 120 U/U	E 120 U/U
	Ø 160 mm	A	EI 120 U/U	E 120 U/U

Poloplast POLO-KAL 3S pipes in accordance with Z-42.1-341

Supporting construction	Outer-Ø	Sealant*	Classifications	
Rigid floors	Ø 75 mm	A	EI 120 U/U	E 120 U/U
	Ø 110 mm	A	EI 120 U/U	E 120 U/U
	Ø 125 mm	A	EI 120 U/U	E 120 U/U
	Ø 160 mm	A	EI 120 U/U	E 120 U/U

REHAU RAUPIANO plus pipes in accordance with Z-42.1-223

Supporting construction	Outer-Ø	Sealant*	Classifications	
Rigid floors	Ø 40 mm	A	EI 120 U/U	E 120 U/U
	Ø 50 mm	A	EI 120 U/U	E 120 U/U
	Ø 75 mm	A	EI 120 U/U	E 120 U/U
	Ø 110 mm	A	EI 120 U/U	E 120 U/U
	Ø 125 mm	A	EI 120 U/U	E 120 U/U
	Ø 160 mm	A	EI 120 U/U	E 120 U/U

Georg Fischer Silenta Premium pipes in accordance with Z-42.1-537

Supporting construction	Outer-Ø	Sealant*	Classifications	
Rigid floors	Ø 58 mm	A	EI 120 U/U	E 120 U/U
	Ø 78 mm	A	EI 120 U/U	E 120 U/U
	Ø 110 mm	A	EI 120 U/U	E 120 U/U
	Ø 135 mm	A	EI 120 U/U	E 120 U/U
	Ø 160 mm	A	EI 120 U/U	E 120 U/U

Conel Drain pipes in accordance with Z-42.1-510

Supporting construction	Outer-Ø	Sealant*	Classifications	
Rigid floors	Ø 40 mm	A	EI 120 U/U	E 120 U/U
	Ø 50 mm	A	EI 120 U/U	E 120 U/U
	Ø 75 mm	A	EI 120 U/U	E 120 U/U
	Ø 110 mm	A	EI 120 U/U	E 120 U/U

*Explanation of sealant type see 8. Floor application - Sealant and fixing

Find out how we can support you

Would you like to find out more about any of the solutions described in this Technical Data Sheet?
Or would you like to discuss how we could help you find the best possible solution for your project?
Get in touch today!

Walraven International

Industrieweg 5
3641 RK Mijdrecht (NL)
Tel. +31 297 23 30 00
Fax +31 297 23 30 99
export@walraven.com

Walraven Group

Mijdrecht (NL) · Tienen (BE) · Bayreuth (DE) · Banbury (GB) · Malmö (SE) · Grenoble (FR) · Barcelona (ES) · Milan (IT)
Kraków (PL) · Mladá Boleslav (CZ) · Kyiv (UA) · Danville (US) · Shanghai (CN) · Dubai (AE) · Budapest (HU) · Mumbai (IN)
Singapore (SG) · Burlington (CA) · Athens (GR)

Technical Data Sheet Walraven Pacifyre® FPC (INT) – 08/2023 – PDF
* The technical data are non-binding and do not reflect the warranted characteristics of the products. They are subject to change. Please consult our General Terms and Conditions. Additional information is available upon request. It is the designer's responsibility to select products suitable for the intended purpose and to ensure that performance data are not exceeded. The installation instructions should always be read and followed.